

DS-KB8112-IM

IP Вызывная панель домофона



Ключевые особенности

Базовые функции

- Video intercom function, supporting the communication with the master station, the client software, the app, and indoor stations
- Access control function, supporting multiple door opening modes (indoor station, master station, client software, app and web)
- Self-adaptive IR supplement with max. 5-meter IR distance
- High-performance embedded SOC processor
- IK9 and степень защиты IP66

Video/Audio функционал

- HD video surveillance with WDR wide angle and high performance CMOS, up to 720P @ 30 fps
- Noise suppression and echo cancellation
- H.264 and MJPG video compression standard
- Low illumination

Функции сигнализации

- Door magnetic alarm supported
- Auto-uploads alarm messages to the master station or the client software

Пульты управления

- Remote reboot, remote upgrade, time synchronization via NTP, and batch configuration function
- Web remote access and OSD display supported
- Mobile app supported
- Motion detection supported

Дополнительные возможности

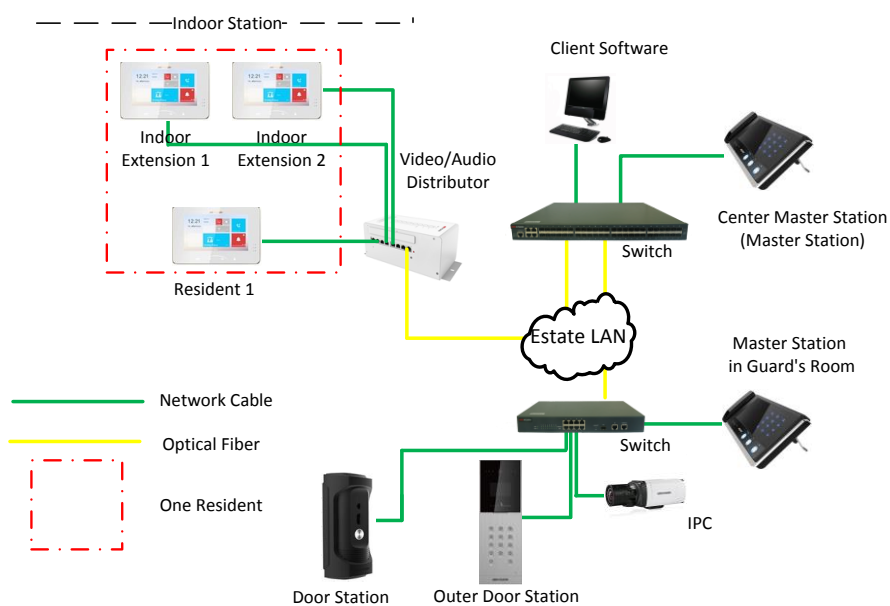
- ISAPI (Internet Server Application Programming Interface) and ONVIF (Open Network Video Interface Forum) supported, to ensure greater compatibility and interoperability among different platforms
- Support bit rate and frame rate configuration, P/N video standard configuration, Email configuration, and auto day & night switch
- Message notification function
- Auto-uploads captured pictures to the FTP or the client software while unlocking the door

Характеристики

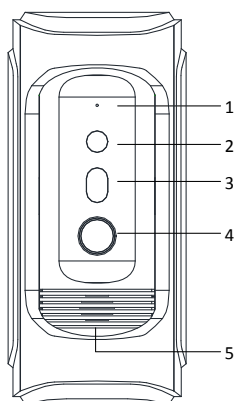
МОДЕЛЬ		DS-KB8112-IM
System parameters	Processor	High-Performance Embedded SOC Processor
	OS	Embedded Linux Operation System
Характеристики камеры	Матрица в камере	1/3" Progressive Scan CMOS, Color, Day/Night
	Light sensitivity	Low Illumination
	Lens	Pinhole, f3.47mm,F2.5
	Угол обзора	80° (горизонтальный), 44° (вертикальный)
	Field of view adjustment	-50° to 50°
Видео параметры	Стандарт видеосжатия	H.264, MJPG
	Video streaming	Dual Stream Main Stream: H.264, Sub-Stream: H.264/MJPG
	Resolution	Макс. разрешение камеры: 1280 × 720 Подпоток: 640 x 480
	Частота к/с	PAL: 25 fps, NTSC: 30 fps
	Видео bit rate	Главный поток: 32 Kbps to 4096 Kbps Подпоток: 32 Kbps to 2048 Kbps
	Частота питания сети	50 Hz, 60 Hz
	Широкий динамич. диапазон	Digital WDR, Auto-Switch, DAY/ON, NIGHT/OFF
	параметры изображения	Color, Brightness, Contrast, Sharpness, Saturation, Video Standard, OSD Display
Аудио параметры	Аудиопотоки	Two-Way, Full Duplex
	Аудиовход	Built-in Omnidirectional Microphone
	Аудиовыход	Built-in Loudspeaker
	Аудиокодек	G.711 U
	Аудиобитрейт	64 Kbps
	Качество аудио	Noise Suppression and Echo Cancellation
Light supplement	Дальность подсветки	IR Supplement, IR Distance: 5 Meters
	Длина волны	940 nm невидимый для человеческого глаза
	Control	Auto ON/OFF, Time ON/OFF

МОДЕЛЬ		DS-KB8112-IM
Параметры сети	Ethernet	10/100 Mbps Self-Adaptive Ethernet
	Интернет протоколы	SIP, RTSP, RTP, ONVIF, ISAPI, NTP, HTTP, HTTPS, DHCP, FTP, SMTP
	Network connection mode	DHCP, Static IP Address
	Door-unlocked duration	1 s to 255 s
Alarm parameters	Alarm input	Door Magnetic Alarm
Device interfaces	Network interface	1 RJ-45 10/100 Mbps Self-Adaptive Ethernet Interface
	I/O input	1
	I/O output	1 Relay Output
Event actions	Event	Motion Detection, Picture Capturing, Call Button Pressing
	File uploading	FTP
	Email notification	Login Succeeded via Software or Web
Основное	Материал	Wall Mounting Shield: Zinc Alloy
		Front Panel: Zinc Alloy
		Rear Panel: Aluminum Alloy
		Wall Mounting Plate: Secc
	Impact protection	IK 9
	Степень защиты	IP 66
	Питание	PoE (Power over Ethernet)
		12 VDC
	Power consumption	Max. 12 W
	Рабочая температура	-30° C to +50° C (-22° F to 122° F)
	Рабочая влажность	10% to 90%
	Video management software	Video management software from HIKVISION (included). For more information, see http://www.hikvision.com/us/Tools_84.html
Размеры (Д × Ш × В)	161.9 mm × 74.1 mm × 53.2 mm (6.37" × 2.92" × 2.09")	
Вес	773g (1.70lb)	
Комплект поставки	Quick Start Guide, CD with User Manual and Software, Wall Mounting Plate, Wall Mounting Shield, Screw Package, Screw Driver	

Типичное применение



Внешний вид и интерфейсы



№	Описание
1	Микрофон
2	Встроенная камера
3	ИК подсветка
4	Кнопка вызова
5	Динамик